

BISMAT[®] Flash



Insert pipe



Close clamp / push screw



Done!

Fixed in a flash, without tools!

- With BISMAT[®] Flash quick locking system
- Clamp easy to close with one hand without tools
- Tested for fire safety
- RAL-certified

BISMAT® Flash

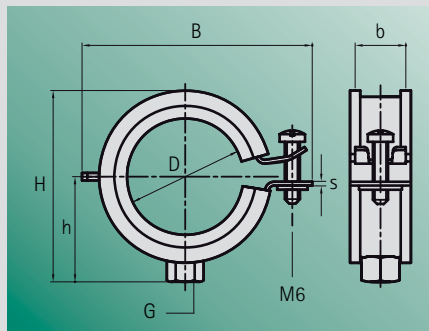
The BISMAT® Flash is a single screw pipe clamp with quick locking system. The locking screw can be secured by one simple thumb push. Tools are not required.

The BISMAT® Flash is suitable for fixing of all types of metal pipes Ø 15 mm up to and including 51 mm (3/8" up to and including 1 1/2").

The steel locking guarantees safety and reliability in all conditions. The fire resistance properties of BISMAT® Flash are tested by the MaterialprüfungsAnstalt in Braunschweig (Germany). A copy of the test report is available on request.

Features and benefits

- Single screw pipe clamp
- With BISMAT® Flash quick locking
- Clamp easy to be closed with one hand
- The locking screw can be secured by one simple thumb push. Tools are not required.
- Material: steel
- Zinc plated
- Noise insulating lining made of EPDM rubber, black
- Tested according to NEN 5077



Part No.	G	D			B (mm)	H (mm)	h (mm)	b x s (mm)	Fa,z* (N)	Carton (pc.)
		(mm)	(")	(DN)						
337 3 018	M8	15 - 18	3/8	10	49	36	22	20 x 1,25	260	50
337 3 023	M8	20 - 23	1/2	15	54	39	23	20 x 1,25	260	50
337 3 028	M8	25 - 28	3/4	20	59	44	26	20 x 1,25	260	50
337 3 035	M8	32 - 35	1	25	65	51	30	20 x 1,25	260	50
337 3 043	M8	40 - 43	1 1/4	32	74	60	34	20 x 1,25	260	50
337 3 051	M8	48 - 51	1 1/2	40	82	66	37	20 x 1,25	260	50
337 4 018	M8/10	15 - 18	3/8	10	49	44	30	20 x 1,25	260	50
337 4 023	M8/10	20 - 23	1/2	15	54	47	31	20 x 1,25	260	50
337 4 028	M8/10	25 - 28	3/4	20	59	52	34	20 x 1,25	260	50
337 4 035	M8/10	32 - 35	1	25	65	59	38	20 x 1,25	260	50
337 4 043	M8/10	40 - 43	1 1/4	32	74	68	42	20 x 1,25	260	50
337 4 051	M8/10	48 - 51	1 1/2	40	82	74	45	20 x 1,25	260	50

*Max. allowed load (Fa,z) tested and certified according to RAL-GZ 655/A.
Not certified BISMAT® Flash M8/10.

RAL

The maximum allowed load is tested and certified according to RAL-GZ 655/A which is drawn up by the 'Gütegemeinschaft Rohrbefestigung'. In the test a maximum allowed deflection is taken into consideration.

The 'RAL-Gütezeichen' is exclusively awarded to products that meet high standards and is a proof of quality!



Nederland Scandinavia - Finland

Walraven B.V.
Postbus 15
3640 AA Mijdrecht (NL)
Tel. +31 (0)297 23 30 00
Fax +31 (0)297 23 30 33
info@walraven.com



United Kingdom Ireland

Walraven Ltd.
Thorpe Way, Banbury (GB)
OX16 4UU
Tel. +44 (0)1295 75 34 00
Fax +44 (0)1295 75 34 28
sales.banbury@walraven.com



Deutschland Österreich - Schweiz - South East Europe

BIS Walraven GmbH
Postfach 125128
95425 Bayreuth (DE)
Tel. +49 (0)921 75 60 0
Fax +49 (0)921 75 60 111
info@bis-walraven.de

Other countries

Walraven International
P.O. Box 15
3640 AA Mijdrecht (NL)
Tel. +31 (0)297 23 30 00
Fax +31 (0)297 28 64 09
export@walraven.com



Walraven Group

Mijdrecht (NL) · Tienen (BE) · Bayreuth (DE)
Grenoble (FR) · Banbury (GB)
Mladá Boleslav (CZ) · Kraków (PL)

www.walraven.com

Your wholesaler